

TeamConnect Wireless

TC-W Set Tray M EU/US/JP/BR
System specification

FEATURES

- Online meeting solution for up to 12 participants
- For dedicated meeting rooms
- Connect with any device (BYOD) – smartphone, tablet or PC
- Wireless connectivity via Bluetooth or via USB or 3.5mm jack audio cable
- Supports multiple simultaneous audio channels, so additional callers can be added with ease
- Comes with a stationary tray for simple storage and charging of satellites
- Best speech intelligibility, for better and more effective meetings
- Award Winning Design



TeamConnect Wireless (TC-W) is a portable wireless conference system that provides excellent sound for online meetings. It is extremely easy to set up and host a professional-sounding online meeting in an instant in any room. The system delivers multiple connectivity options with any smartphone, tablet or PC via Bluetooth, USB, or 3.5mm jack – its connectivity makes it a highly flexible asset that supports all your Unified Communications demands. The Tray-M Set comes with 2 portable satellites and a stationary charging and docking tray for the satellites. It is a perfect solution for dedicated meeting rooms having up to 12 participants. It's made in Germany by Sennheiser.

ARCHITECT'S SPECIFICATION

A complete professional wireless audio system designed for setting up audio conferences with up to 12 participants in dedicated meeting rooms.

The system shall operate in the license-free 1.9 GHz band (frequency ranges shall be as follows: EU/ANZ: 1,880 to 1,900 MHz, US: 1,920 to 1,930 MHz, Brazil: 1,911 to 1,918 MHz, Japan: 1,893 to 1,906 MHz) and shall have an RF output power of max. 100 mW (EIRP). The system shall offer mobile device connectivity via Bluetooth (v. 4.2 supported profiles: HFP, HSP and A2DP), NFC, as well as USB and audio cable.

The system shall be comprised of two conference units (so-called satellites) powered by a rechargeable battery, a charging tray, an external power supply unit for the charging tray, plus a USB cable and an audio cable (2.5 mm jack to 3.5 mm jack) to allow for wired connections.

One of the two satellites shall be designed as "master satellite" and shall feature a 2.5 mm jack socket for connecting the audio cable as well as a micro-USB socket for connecting the USB cable. Each satellite shall offer a touch panel with a microphone mute button and a volume control slider. The master satellite's touch panel shall also feature a Bluetooth button for pairing, a USB connection button for deactivating connections, an NFC status icon (lights up when NFC is used) as well as a jack plug icon (lights up when an audio jack is connected). In addition to pairing, the Bluetooth button shall allow the user to manage calls, deactivate an existing Bluetooth connection and end a conference. Alternatively, it shall also be possible to end a conference by pressing the USB button on the touch panel.

Architect's Specification continued

The speaker of a satellite shall use a dynamic driver with a neodymium magnet. The frequency response of the speaker shall range from 200 to 9,000 Hz. The satellite shall also include two MEMS microphones, one of which shall be used for diffuse noise reduction. The microphone frequency response shall range from 200 to 12,000 Hz. Each satellite shall be powered by one Sennheiser BA 100 rechargeable Lithium-Ion battery. The rechargeable battery shall provide a talk time of up to 8 hours. The charging time of the rechargeable battery shall be up to 10 hours.

The charging tray shall operate on 12 V DC power supplied by the NT 12-10 BW power supply unit (100-240 V AC, 50-60 Hz).

The operating temperature shall range from +5 °C to +45 °C (+41 °F to +113 °F).

The satellites shall be 97 mm (3.82") in diameter and 76 mm in height (2.99"), the dimensions of the charging tray shall be 363 x 29 x 169 mm (14,29" x 1,14" x 6,65"). Approximate weights shall be as follows: satellite incl. rechargeable battery: 449 g (0.99 lbs.), charging tray: 1,340 g (2.95 lbs.).

The system shall be the Sennheiser TeamConnect Wireless.

SPECIFICATIONS

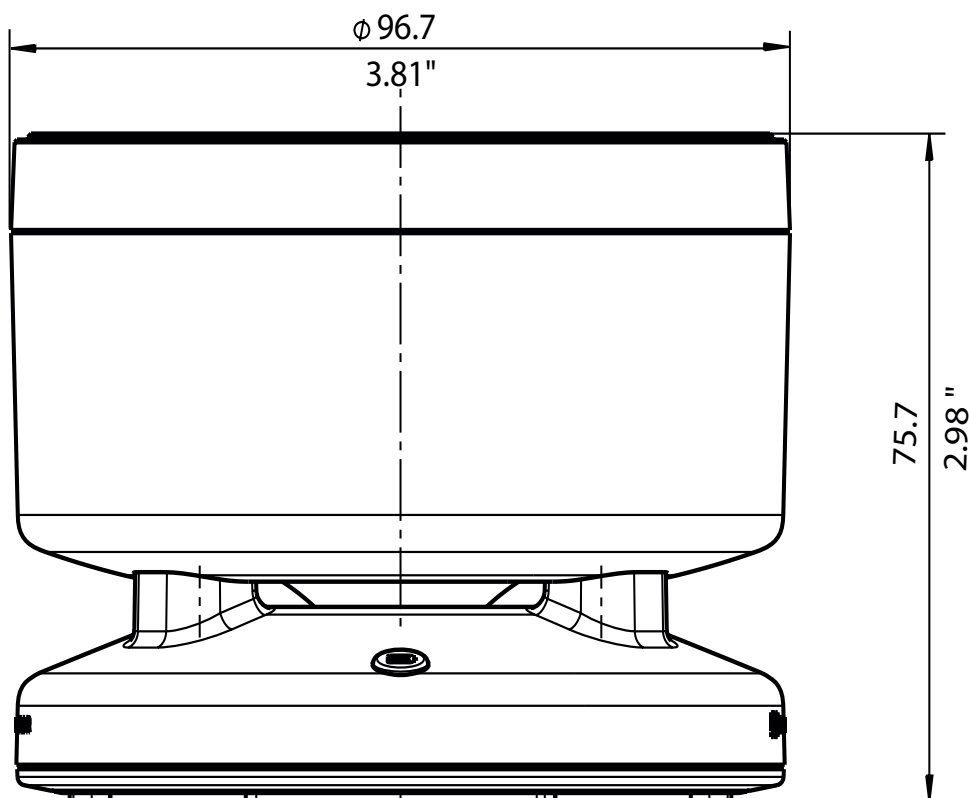
Satellites & Case		Rechargeable battery BA 100	Lithium Ion; Input power Tray: 3.7 V DC TC-W Master via USB: 5 V/max. 500 mA
Dimensions		Charging time	up to 10 h
Satellite(s) (Ø x H)	approx. 97 mm x 76 mm (3.82" x 2.99")	Operating temperature	+5 °C to +45 °C (+41 °F to +113 °F)
Tray (W x H x D)	approx. 363 x 29 x 169 mm (14,29" x 1,14" x 6,65")	Storage temperature	-20 °C to +55 °C (-4 °F to +131 °F)
Weight		Relative humidity	20 - 80%, non-condensing
Satellite	449 g incl. battery pack (0.99 lbs)	Power supply	
Tray	approx. 1,340g (2,95 lbs)	Input voltage	100 - 240 V AC
Complete Set	approx. 2,238g (4,93 lbs)	Mains frequency	50 - 60 Hz
Speaker frequency response	200 - 9,000 Hz	Output voltage	12 V DC
Microphone frequency response	200 - 12,000 Hz	Output current	max. 1.0 A
Sockets master satellite	2.5 mm socket Micro USB socket	Energy efficiency	DOE Level VI
Connection cable	Micro USB type B to USB type A cable 2.5 mm to 3.5 mm jack cable	Operating temperature	0 °C to +45 °C (+32 °F to +113 °F)
Bluetooth	version 4.2 / class 1 Profiles HSP (v1.2), HFP (v1.6), A2DP (v1.3) Frequency Range: 2.4 GHz	Storage temperature	-20 °C to +70 °C (-4 °F to +158 °F)
Max. range	Bluetooth (Master to smart device) approx. 10 m DECT (Master to Satellite) approx. 20 m	Relative humidity	max. 90%, non-condensing
RF frequency ranges	EU: 1,880 to 1,900 MHz USA: 1,920 to 1,930 MHz Brazil: 1,911 to 1918 MHz Japan: 1,893 to 1,906 MHz		
RF output power	max. 100 mW (EIRP)		
Operating time	up to 8 hours		

DELIVERY INCLUDES

- 1 TC-W Master
- 1 TC-W Satellite
- 1 TC-W Tray M
- 2 BA 100 Battery
- 1 NT 12-10 BW DC Power supply
- 1 Micro USB type B to USB type A cable
- 1 2.5 mm to 3.5 mm jack cable
- 1 User manual
- 1 Safety Instructions

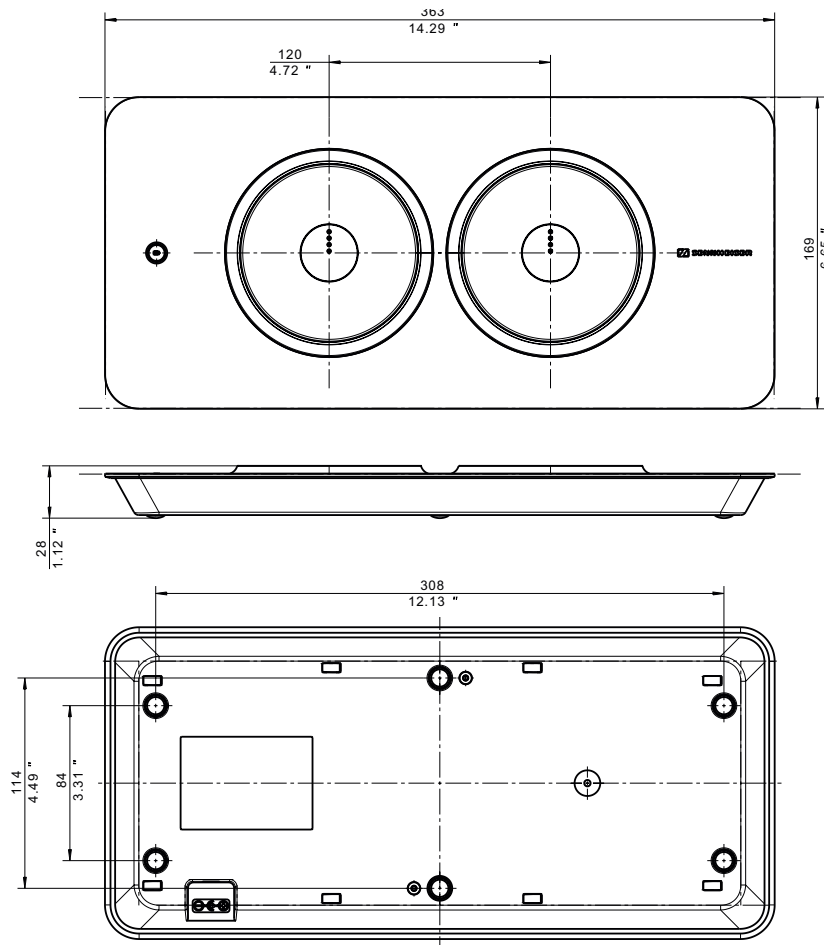
DIMENSIONS

TC-W Satellites



DIMENSIONS

TC-W Tray M



ACCESSORIES

TC-W Jack Cable	Art. No.	506682
TC-W Telephone Cable	Art. No.	506683
TC-W USB Cable	Art. No.	506684
NT 12-10 BW	Art.No.	506728
TC-W Case	Art. No.	506685
TC-W Tray	Art. No.	506691

PRODUCT VARIANTS

TC-W Set Case EU	Art. No.	506686
TC-W Set Case US	Art. No.	506687
TC-W Set Case JP	Art. No.	506689
TC-W Set Case BR	Art. No.	506690
TC-W Set Tray EU	Art.No.	506692
TC-W Set Tray US	Art.No.	506693
TC-W Set Tray JP	Art.No.	506695
TC-W Set Tray BR	Art.No	506696
TC-W Set Tray M EU	Art.No.	507429
TC-W Set Tray M US	Art.No.	507430
TC-W Set Tray M JP	Art.No.	507431
TC-W Set Tray M BR	Art.No.	507432